

N<sup>o</sup> 25,783



A.D. 1906

Date of Application, 15th Nov., 1906

Complete Specification Left, 15th May, 1907—Accepted, 11th July, 1907

PROVISIONAL SPECIFICATION.

**Improvements in Blow Lamps for the use of Painters Braziers  
and the like.**

I, RICHARD JONES ALLEN of Poplar Road, Kings Heath, Worcestershire, Painter and Plumber do hereby declare the nature of this invention to be as follows:—

This invention relates to blow lamps of the class used by painters, braziers and the like, and consists of a means whereby the spirit is vapourized in the body of the lamp, with the object of maintaining a full blast in any weather however cold or boisterous it may be.

In carrying this invention into effect the body which contains the spirit is provided with a chamber or passage around the front or greater part of its circumference and which chamber or passage is preferably arranged at or about the centre of the height of the body.

At or preferably near the nozzle from which the flame issues, a tube connection is formed between the nozzle and the front part of the chamber or passage below, the upper end of such tube being inserted in the nozzle and bent with its mouth opposite to the direction of the blast, the connection being so arranged that a part of the hot blast passes down the tube into the aforementioned chamber which is provided with side perforations for allowing of its exit.

By this means the body of the lamp is always retained at the required temperature for effecting the vapourization of the spirit in the body of the lamp.

If so desired a cock may be provided in the connecting tube for the purpose of enabling the quantity of the heated blast passing to the chamber to be regulated. The handle attachment and means for starting the lamp may be of the ordinary and well known form.

Dated this 14th day of November 1906.

LEWIS WM. GOOLD,  
Patent Agent by Examination,  
Agent for the Applicant,  
5 Corporation Street, Birmingham.

COMPLETE SPECIFICATION.

**Improvements in Blow Lamps for the use of Painters Braziers  
and the like.**

I, RICHARD JONES ALLEN of Poplar Road, Kings Heath, Worcestershire, Painter and Plumber do hereby declare the nature of this invention and in  
[Price 8d.]



*Improvements in Blow Lamps for the use of Painters Braziers and the like.*

what manner the same is to be performed to be particularly described and ascertained in and by the following statement:—

This invention relates to blow lamps of the class used by painters, braziers and the like, and consists of a means whereby the spirit, is vapourized in the body of the lamp, with the object of maintaining a full blast in any weather 5 however cold or boisterous it may be.

In order that this invention may be clearly understood and more easily carried into practice I have appended hereunto a sheet of drawings upon which I have illustrated the nature of my said invention:—

Figure 1 is a general view of the lamp. 10

Figure 2 is a part sectional elevation.

In carrying this invention into effect the body A which contains the spirit, is provided with a chamber or passage B around the front or greater part of its circumference and which chamber or passage is preferably arranged at or about the centre of the height of the body. 15

At or preferably near the nozzle C from which the flame issues, a tube connection D is formed between the nozzle C and the front part  $b^1$  of the chamber or passage below, the upper end  $d^1$  of such tube being inserted in the nozzle C and bent with its mouth opposite to the direction of the blast, the connection D being so arranged that a part of the hot blast passes down 20 the tube D into the aforementioned chamber B which is provided with side perforations for allowing of its exit  $b^2$ .

By this means the body A of the lamp is always retained at the required temperature for effecting the vapourization of the spirit in the body of the lamp. 25

If so desired a cock may be provided in the connecting tube for the purpose of enabling the quantity of the heated blast passing to the chamber to be regulated. The handle attachment and means for starting the lamp may be of the ordinary and well known form.

Having now particularly described and ascertained the nature of my said invention and in what manner the same is to be performed I declare that what I claim is:— 30

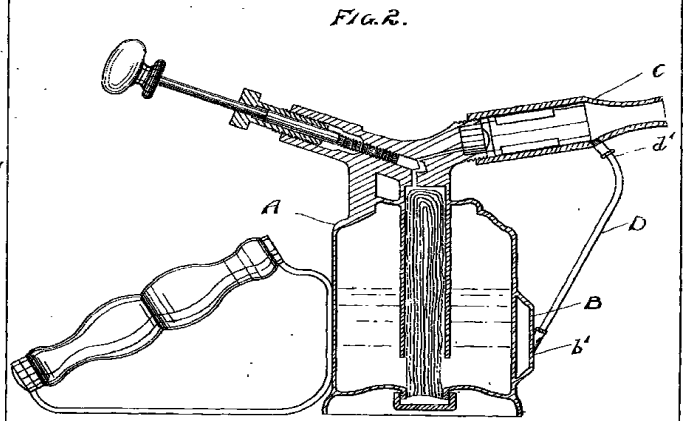
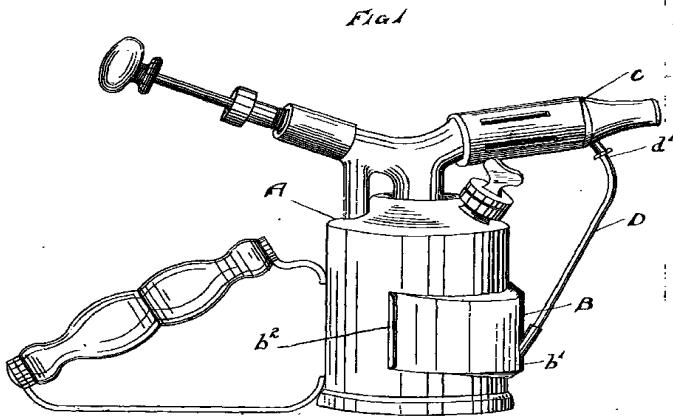
1st. In blow lamps for the use of painters braziers and the like the improvements consisting of a perforated or open ended chamber formed around the body of the lamp in combination with means for conveying part of the hot blast to the chamber from the nozzle substantially as and for the purpose herein set forth. 35

2nd. In blow lamp of the type set forth in Claim 1 the combination therewith of means for regulating the quantity of heated blast to the chamber substantially as herein set forth. 40

Dated this 10th day of May 1907.

LEWIS WM. GOOLD,  
Patent Agent by Examination,  
Agent for the Applicant,  
5 Corporation Street, Birmingham. 45

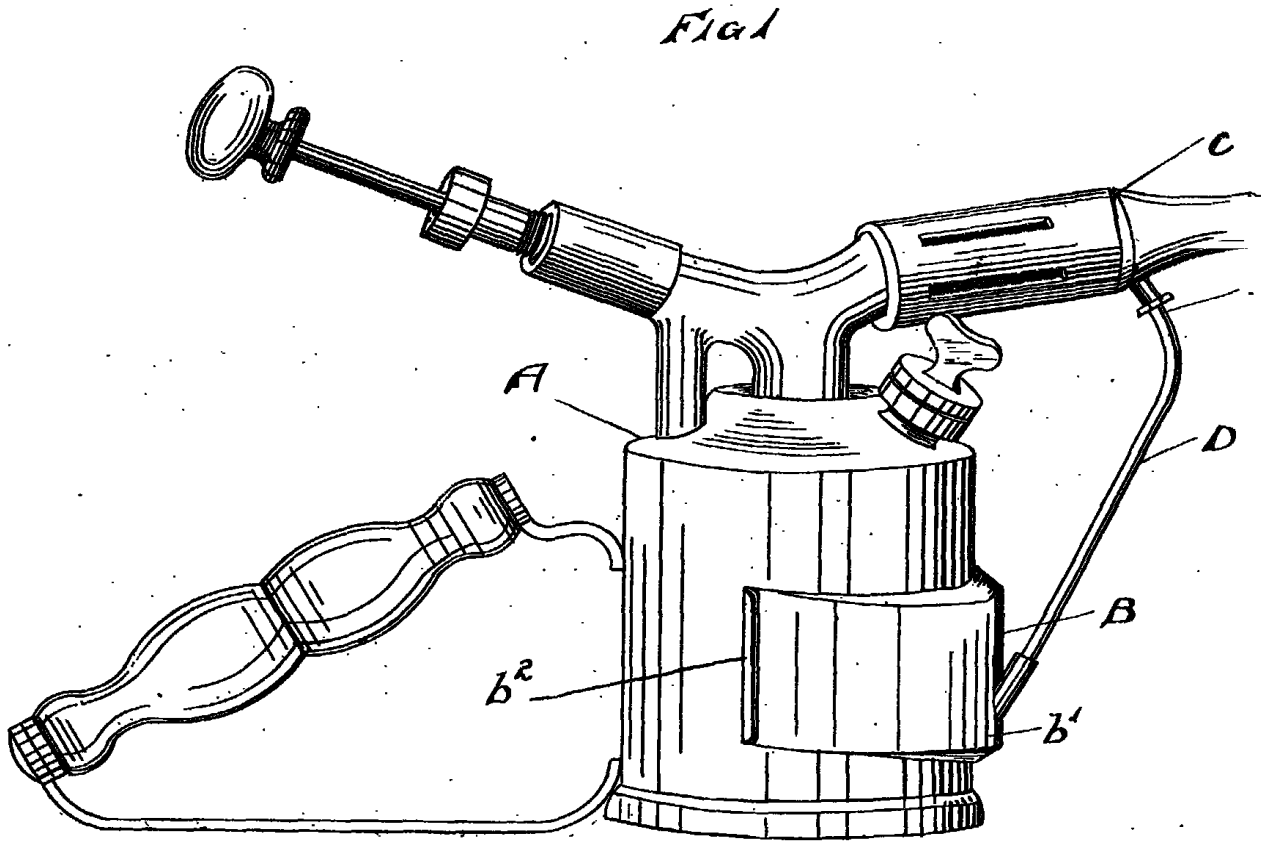
[This Drawing is a reproduction of the Original on a reduced scale.]



ORIGINAL  
FREE  
LIBRARY

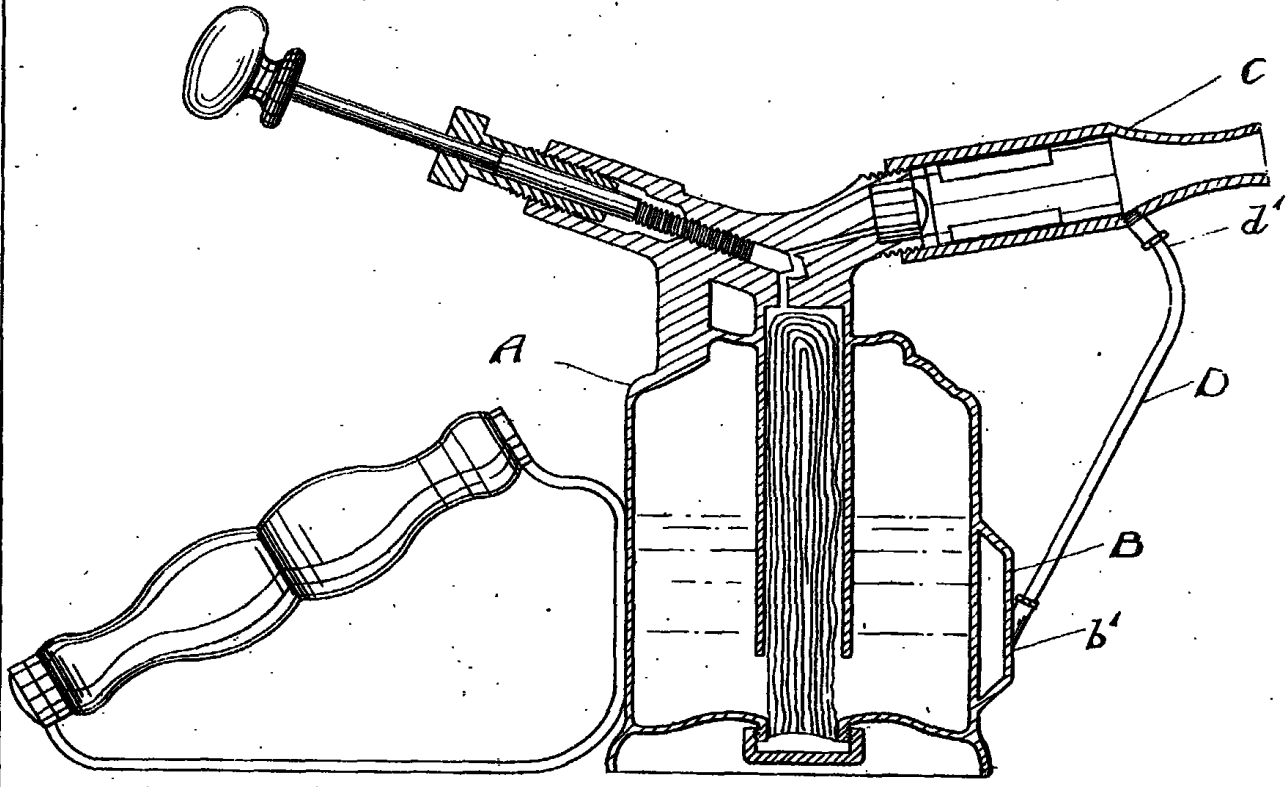
ORIGINAL  
FREE  
LIBRARY

[This Drawing is a reproduction of the Original on a reduced scale.]



DRAWN BY  
FREE  
LIBRARY

FIG. 2.



BIRMINGHAM  
FREE  
LIBRARIES.